

Wide Coverage Over an LTE (4G) and 3G Network, Mobile LTE Radio Interoperable with IP501H/IP503H

Nationwide coverage over LTE (4G) and 3G networks*

* Service availability varies by country. Network coverage provided by a custom Icom SIM card.

Interoperable with the handheld IP501H/IP503H

Full-Duplex communication provides multiple users simultaneous conversations

Priority Interrupt Calling can break into an on-going call for an important message

Text Message function allows you to send and receive messages of up to 32 characters

Safety features with Emergency Call & Lone Worker functions

An Ethernet port for data communication*

* The optional VE-PG4 is required.

D-SUB 25-pin connector with the optional OPC-2407 cable for interfacing other devices, various controls and data communication

ACC connector for Ignition Sensing function

Noise Canceling function (TX only) for clear audio in noisy environments

Built-in Bluetooth® and GPS

Optional COMMANDMIC™ provides a handheld-like user interface

Interconnection with the IP100H and IDAS™ systems using the VE-PG4, RoIP gateway



SPECIFICATIONS

GENERAL		
Power supply		13.8 V DC \pm 10% or 26.4 V DC \pm 10%
Current drain (Maximum)	TX	Less than 0.6 A (13.8 V DC) Less than 0.4 A (26.4 V DC)
	RX	Less than 1.2 A (13.8 V DC) Less than 0.8 A (26.4 V DC)
Operating temperature range		-10°C to +60°C; 14°F to +140°F
Dimensions (W x H x D) (Projections not included)		125 x 29 x 156 mm; 4.9 x 1.1 x 6.1 in (Approximate)
Weight		840 g; 1.9 lb (Main unit, approximate)
Voice codec		G. 726
Audio output power		More than 4 W (External SP, at 10% distortion into a 4 Ω load)
External microphone impedance		600 Ω

INTERFACE		
Network	4G bands:	LTE B2, B4, B12 (USA) LTE B1, B3, B7, B8, B20 (EXP) LTE B1, B3, B5, B7, B8, B28 (AUS)
	3G bands:	W-CDMA B2, B5 (USA) W-CDMA B1, B8 (EXP) W-CDMA B1, B5 (AUS)
Bluetooth		Version 2.1 +EDR
LAN		RJ-45 type x 1 (Auto MDI/MDI-X) 10BASE-T/100BASE-TX
External speaker jack		3.5 mm (1/8 in) (d), 4 Ω
External equipment connector		D-SUB 25-pin type (The optional OPC-2407 is required)

All stated specifications are subject to change without notice or obligation.

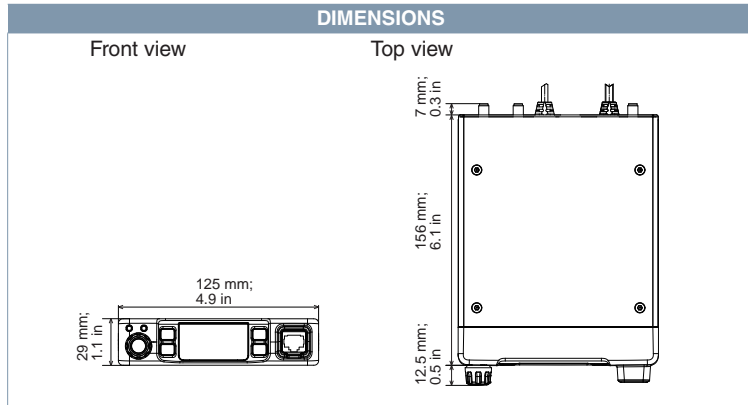
Applicable U.S. Military Specifications & IP Rating

Standard	MIL 810G	
	Method	Procedure
Low Pressure	500.5	I, II
High Temperature	501.5	I, II
Low Temperature	502.5	I, II
Temperature Shock	503.5	I-C
Solar Radiation	505.5	I
Rain Blowing/Drip	506.5	I, III
Humidity	507.5	II
Dust Blowing	510.5	I
Vibration	514.6	I
Shock	516.6	I, IV

Also meets equivalent MIL-STD-810-C, -D, -E and -F.

Ingress Protection Standard

Dust and Water	IP54 (Dust-protection, water resistance)
----------------	--



Please ask your Icom distributor in your country about the planned launch date of the service or other requirements. This product requires the system construction working in collaboration with a mobile network operator, Icom, Icom Inc. and the Icom logo are registered trademarks of Icom Incorporated (Japan) in Japan, the United States, the United Kingdom, Germany, France, Spain, Russia, Australia, New Zealand, and/or other countries. IDAS and COMMANDMIC are trademarks of Icom Incorporated. The Bluetooth® word mark and logos are registered trademark owned by Bluetooth SIG, Inc. and any use of such marks by Icom Inc. is under license. All other trademarks are the properties of their respective holders.

OPTIONS

MICROPHONES

HM-241
Speaker microphone with emergency button (IP54)
Same as supplied

COMMANDMIC™ HM-230HB
with 10-keypad and display (IP55)

SM-28
Desktop microphone

MICROPHONE EXTENSION CABLE

OPC-2355
2.5 m; 8.2 ft

Bluetooth® HEADSET

VS-3

EXTERNAL SPEAKERS

SP-35
5 W, 4 Ω (2 m; 6.5 ft)

SP-30
20 W, 4 Ω (2.6 m; 8.5 ft)

ACC CABLE

OPC-2407
D-SUB 25-pin

RoIP GATEWAY VE-PG4

With a VE-PG4 RoIP gateway, the LTE radio system can interconnect with an IP phone, IP, IDAS™ digital and analog radios.

- RoIP IDAS™ digital radio
- RoIP Analog radio
- IP Advanced Radio System IP radio
- IP Advanced Radio System LTE radio
- IP Phone
- External Equipment USB drive for recording
- External Equipment Speaker microphone
- External Equipment PA system
- External Equipment Sensors

PROGRAMMING SOFTWARE
CS-IP501M

PROGRAMMING CABLE
OPC-1122U

Supplied accessories

- HM-241, speaker microphone
- LTE antenna (2 pcs)
- GPS antenna
- DC power cable
- Mounting bracket kit
- Microphone hanger

Icom Inc. 1-1-32, Kamiminami, Hirano-Ku, Osaka 547-0003, Japan Phone: +81 (06) 6793 5302 Fax: +81 (06) 6793 0013 www.icom.co.jp/world **Count on us!**

Icom America Inc.
www.icomamerica.com

Icom (Europe) GmbH
www.icomeurope.com

Icom (Australia) Pty. Ltd.
www.icom.net.au

Your local distributor/dealer:

Icom Canada
www.icomcanada.com

Icom Spain S.L.
www.icomspain.com

Shanghai Icom Ltd.
www.bjicom.com

Icom Brazil
E-mail: sales@icombrasil.com

Icom (UK) Ltd.
www.icomuk.co.uk

Icom France s.a.s.
www.icom-france.com